

GFZD-T5321, ZigBee USB Dongle User Manual

Version: 2.0
Date: 2011/3/22

Table of content

1 Introduction.....	3
2 Definitions.....	3
3 Install Step	3
4 Download firmware	4
4.1 PIN definition.....	4
4.2 Other tools.....	6
4.3 Steps	6
5 Document history.....	7

1 Introduction

Thank you for purchasing a GFZD-T5321, ZigBee Sensor Board. It's based on TI CC2531F256 chip, with USB 2.0 full speed device.

GFZD-T5321, ZigBee USB Dongle provide a user interface that can easy to design ZigBee Profile and connect with user's device, detail chip spec, please refer to

<http://focus.ti.com/lit/ds/symlink/cc2531.pdf>



GFZD-T5321

2 Definitions

SmartRF Flash Programmer: The software from Texas Instruments to download firmware.

IAR Embedded Workbench: An evaluation version of IAR Embedded Workbench can download from IAR site.

3 Power

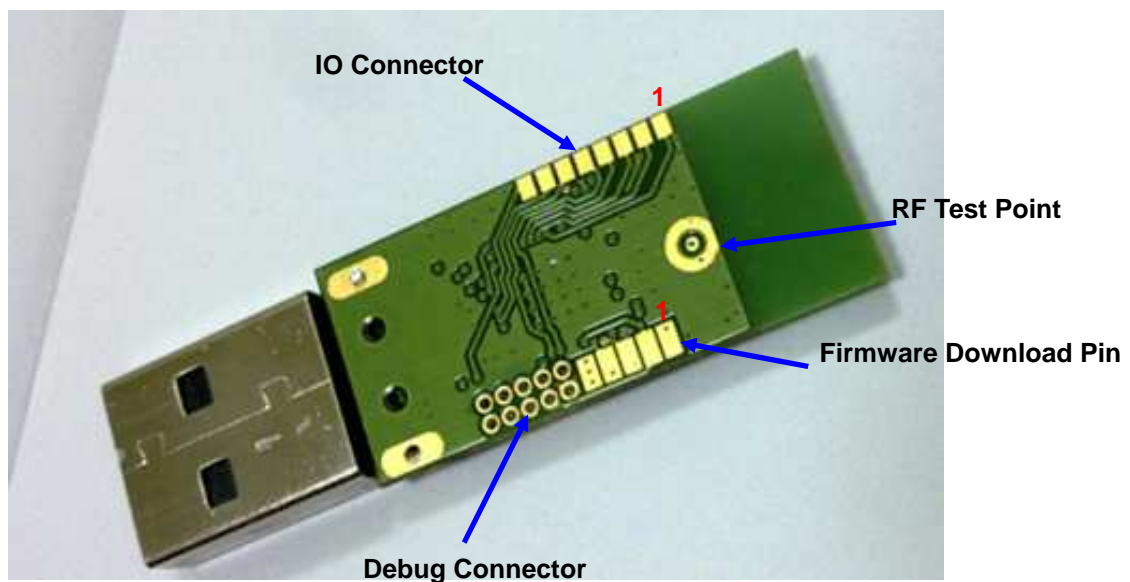
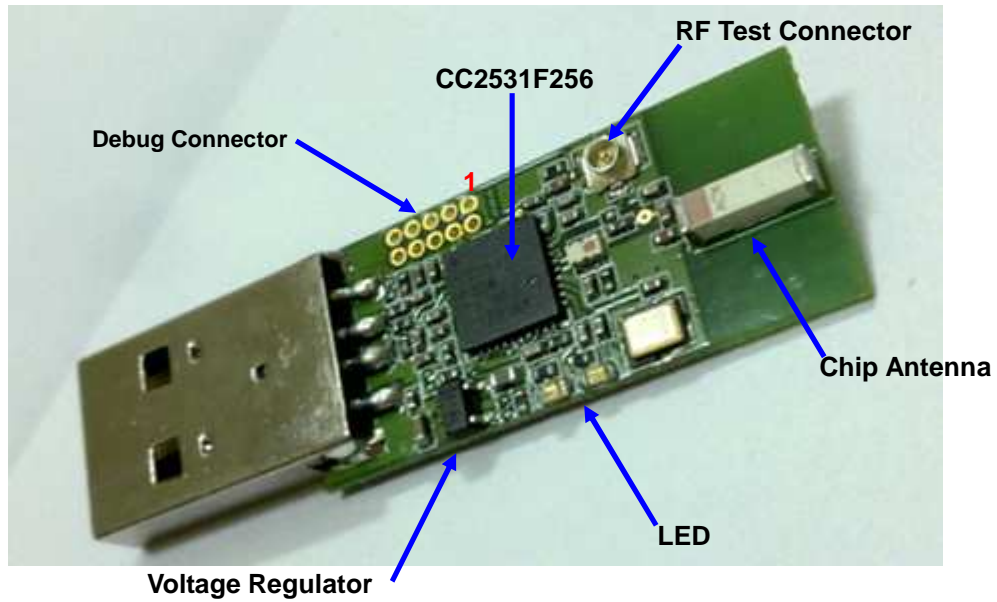
1. Please connect it to user computer; the power light will be on.

2. Install driver INF file, can be down load from www.catcan.com.tw

http://www.catcan.com.tw/customerservice/file_download/cc2531dongle.rar?attredirects=0&d=1

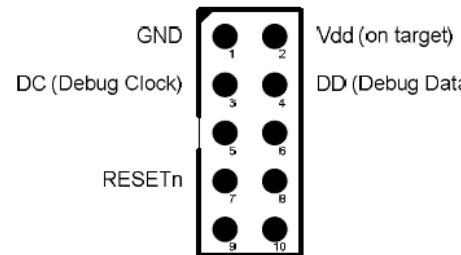
4 Download firmware

4.1 PIN definition



Debug Connect

Pin Number	Connection
1	GND
2	VDD
3	CC2531 P2.2 (DC)
4	CC2531 P2.1 (DD)
5	NC
6	NC
7	CC2531 RESET
8	NC
9	Optional External VCC (R2 must be mounted)
10	NC



Yellow marks the pins must connect to CC debugger for down load firmware

Other Pin defines:

Dongle IO Pin out

IO Connector	CC2531
1	P0.2
2	P0.3
3	P0.4
4	P0.5
5	P1.7
6	P1.6
7	P1.5
8	P1.4

Dongle User IO	CC2531
Blue LED	P0.0
Orange LED	P1.1

4.2 Other tools

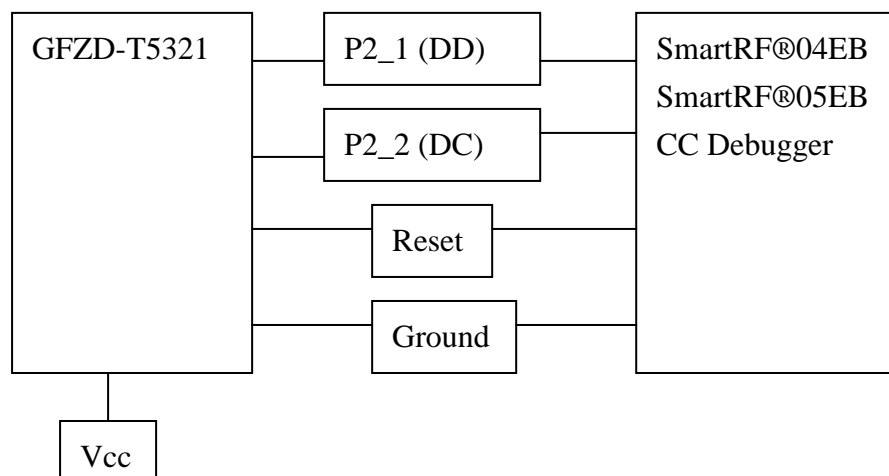


SmartRF@04EB, SmartRF@05EB, CC Debugger can get from Texas Instruments

4.3 Steps

Connect SmartRF@04EB with GFZD-T5321.

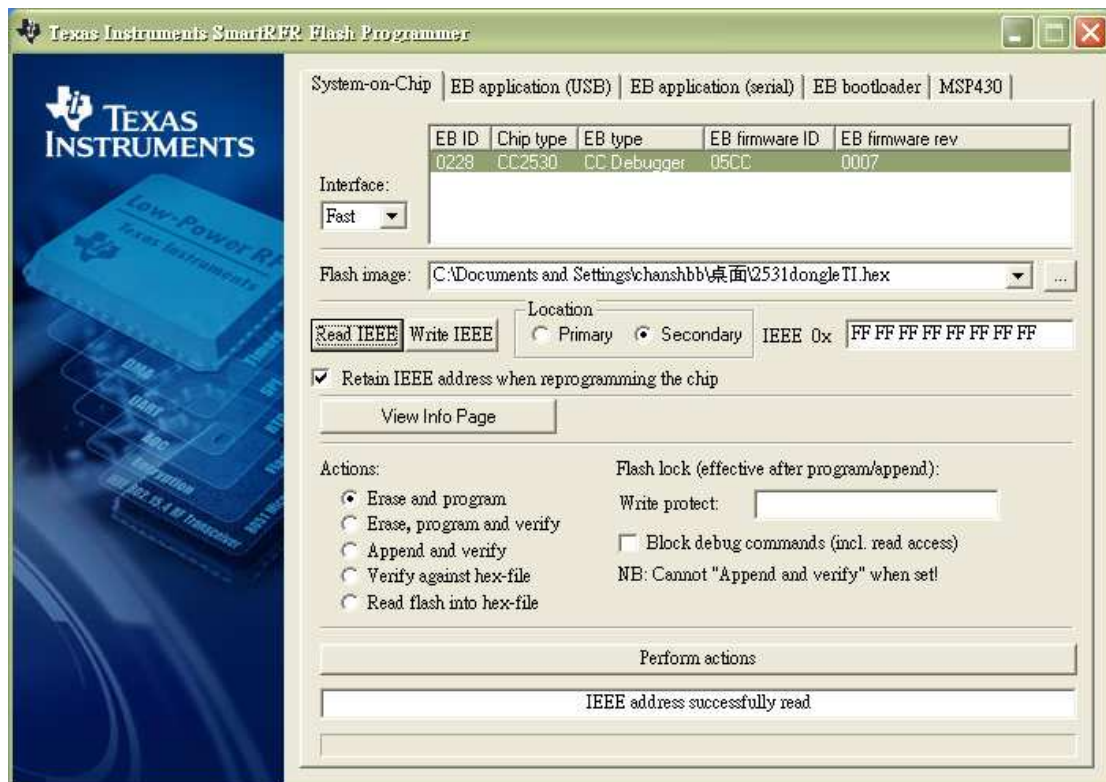
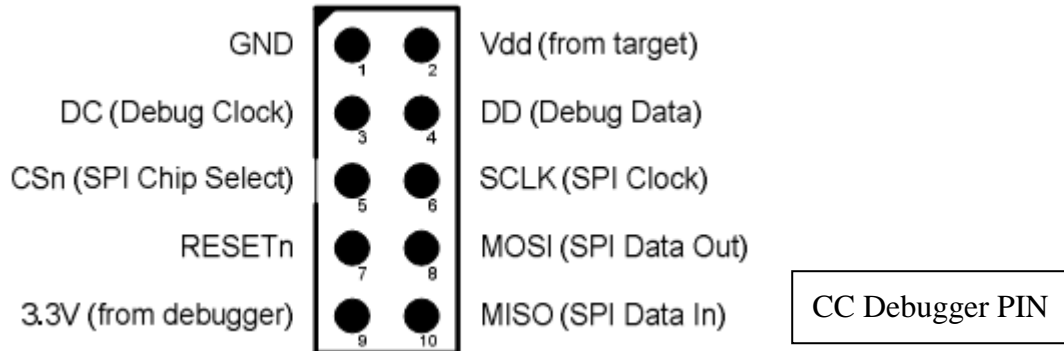
User can download firmware through IAR or SmartRF Flash Programmer



PS:

SmartRF@04(05)EB P14 SoC debug port need another 3.3V power, it can supply by USB Dongle PIN1, or by SmartRF@04EB P10_PIN 5(I/O A)

CC Debugger PIN2 (Vdd(from target)), need 3.3 Volt input, you can connect it from USB Dongle pin1.



5 Document history

Revision	date	Description/Changes
----------	------	---------------------

1.00	12-01-2009	Initial release.
1.01	12-14-2009	Add T5321
2.0	03-22-2011	New version for CC2531