

GFZS-T5321 ZigBee Sensor Board User Manual

Version: 1.01
Date: 12/03/2009

Table of content

1 Introduction.....	3
2 Definitions.....	3
3 Install Step	4
4 Download firmware	5
4.1 PIN definition.....	5
4.2 Other tools.....	5
4.3 Steps	5
5 Document history.....	7

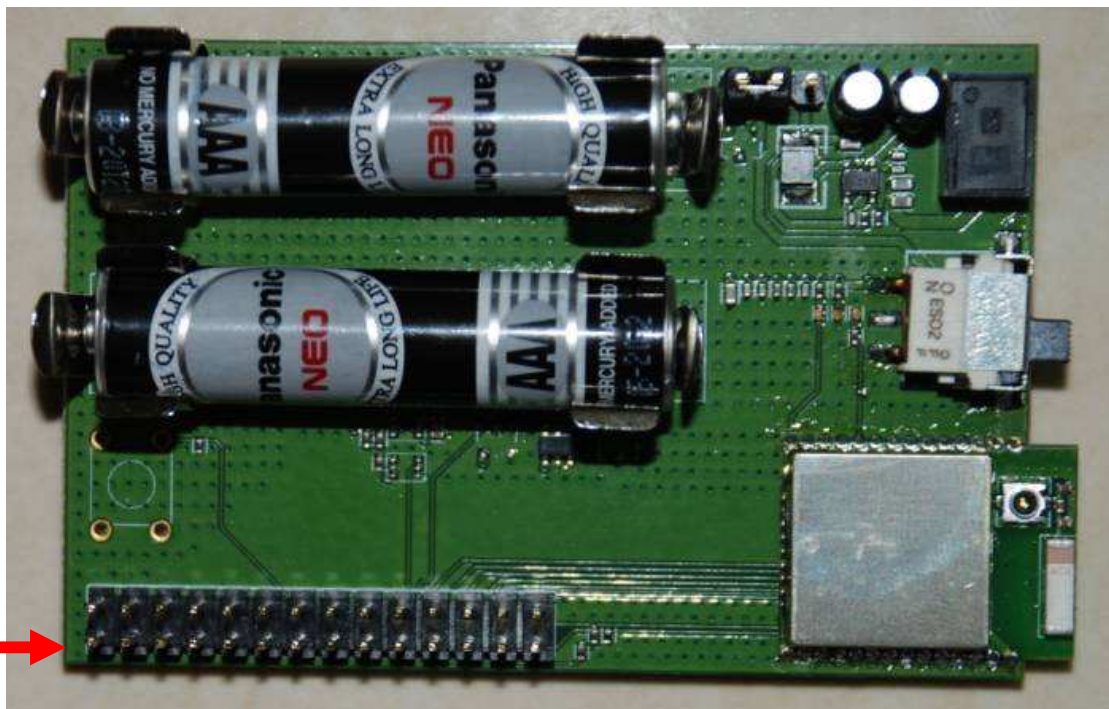
1 Introduction

Thank you for purchasing a GFZS-T4321(5321) ZigBee Sensor Board.

GFZS-T4321 (5321) ZigBee Sensor Board provide a user interface that can easy to design ZigBee Profile and connect with user's device

2 Definitions

GFZS-T5321



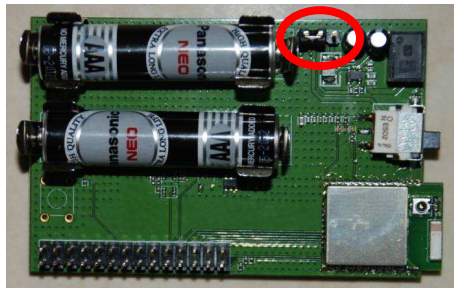
GFZS-T5321: Texas Instruments CC2530 Sensor board

SmartRF Flash Programmer: The software from Texas Instruments to download firmware.

IAR Embedded Workbench: An evaluation version of IAR Embedded Workbench can download from IAR site.

3 Power

Two 1.5V battery (AAA) or 5V adapter



: Powered by Adapter

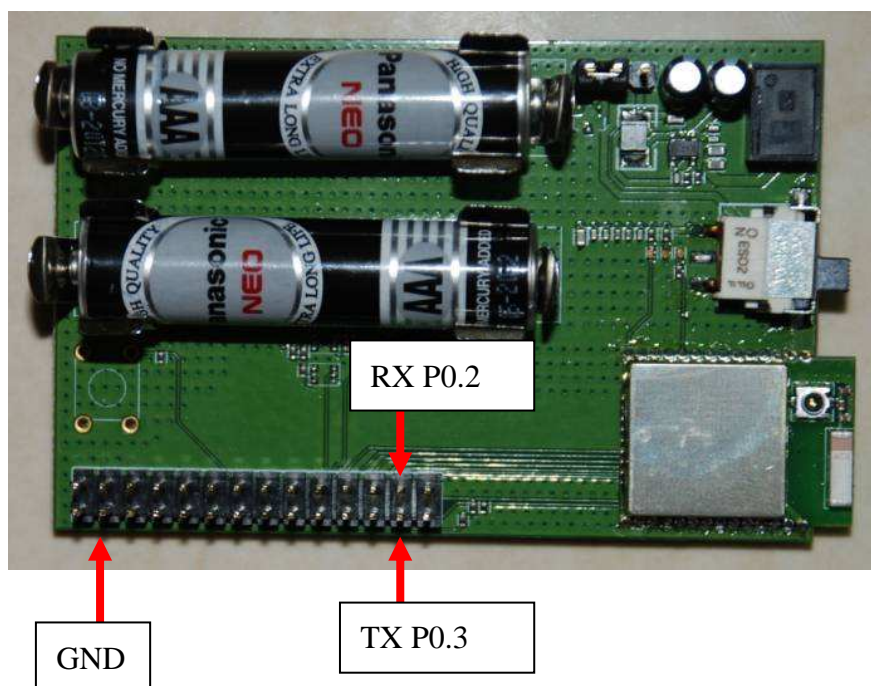


: Powered by Battery

UART connection

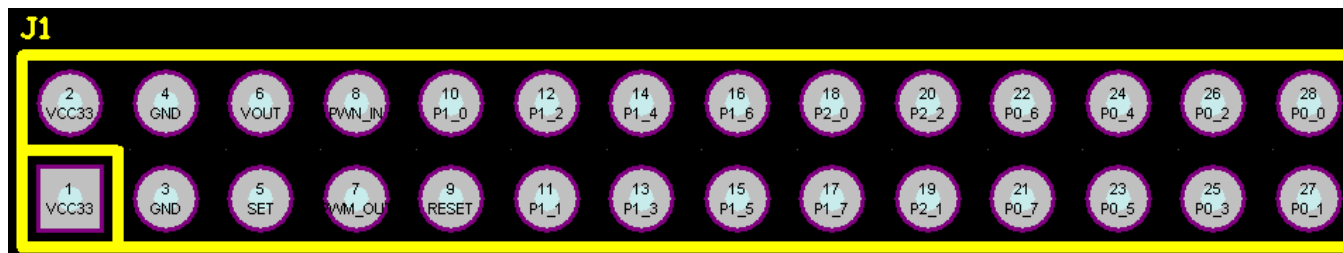
For basic uart connection, 3pins needed beside power:

1. GND: pin 3 and 4
2. RX: Pin P0.2
3. TX: Pin P0.3



4 Download firmware

4.1 PIN definition



4.2 Tools

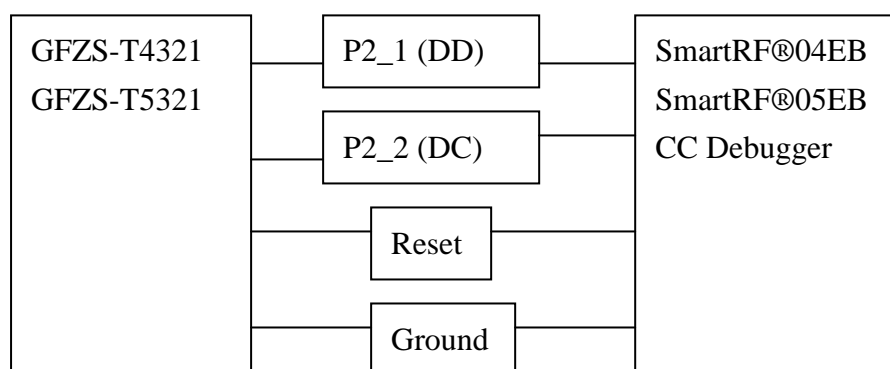


SmartRF@04EB, SmartRF@05EB, CC Debugger can get from Texas Instruments

4.3 Steps

Connect SmartRF@04EB or CC-Debugger with GFZS-T4321(5321).

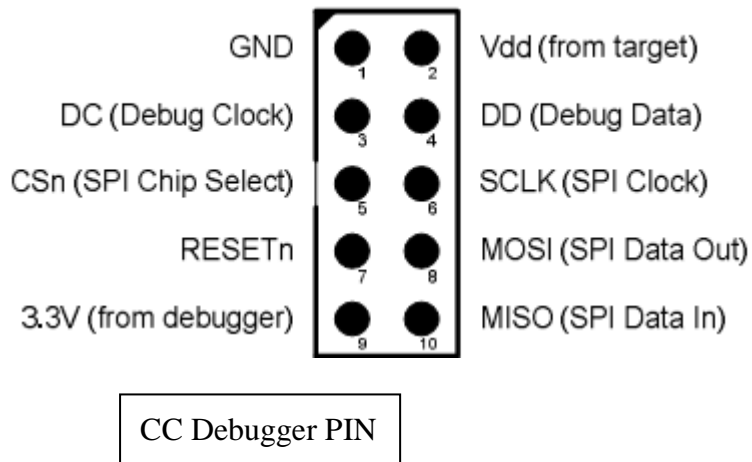
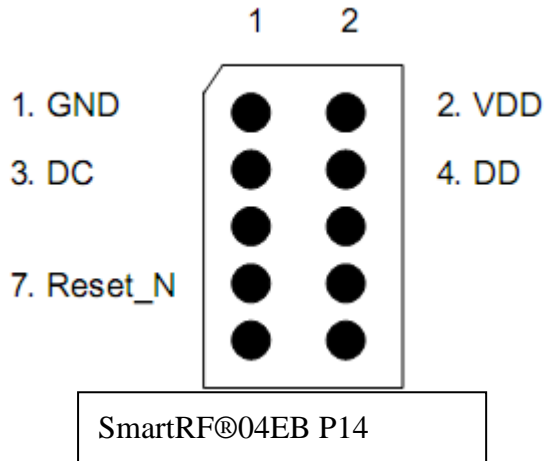
User can download firmware through IAR or SmartRF Flash Programmer

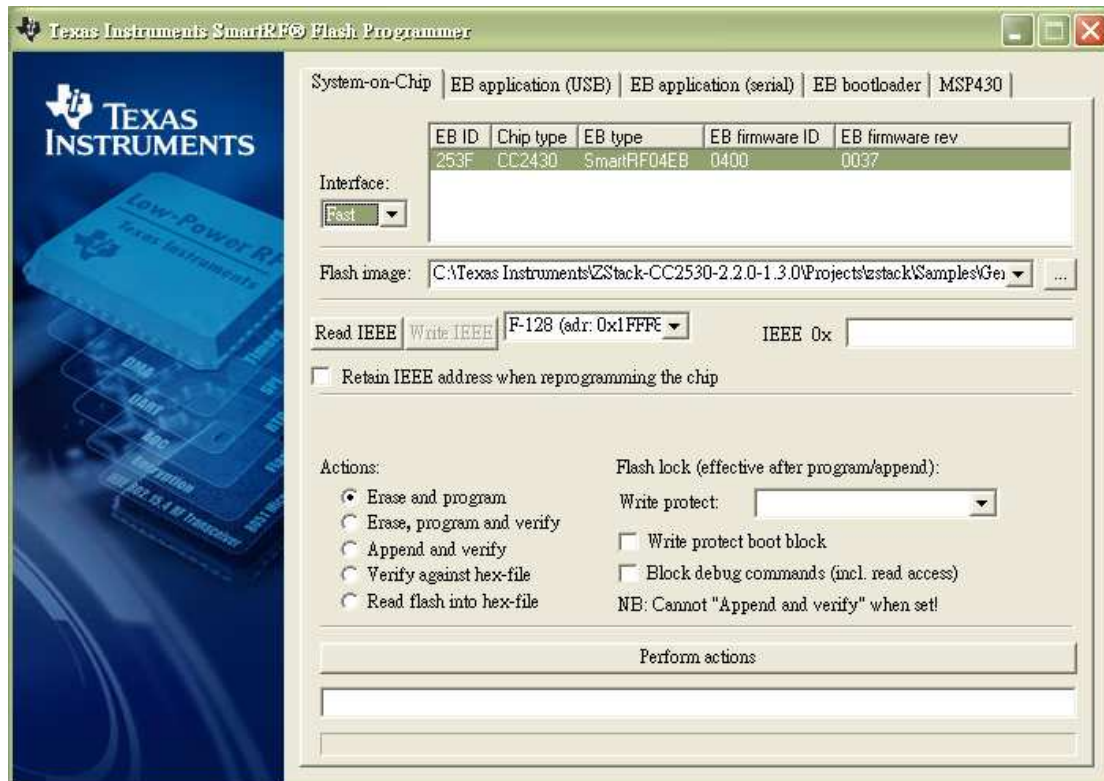


P.S:

SmartRF®04(05)EB P14 SoC debug port need another 3.3V power, it can supply by sensor board PIN1, or by SmartRF®04EB P10_PIN 5(I/O A)

CC Debugger PIN2 (Vdd(from target)), need 3.3 Volt input, you can connect it from sensor board pin1 or pin2





5 Document history

Revision	date	Description/Changes
1.00	12-03-2009	Initial release.
1.01	12-14-2009	Add T5321